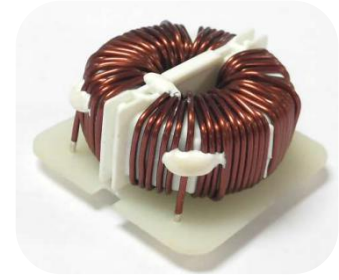


# TC3110-C 共模滤波器

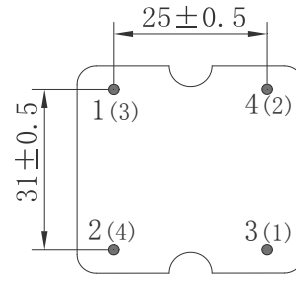
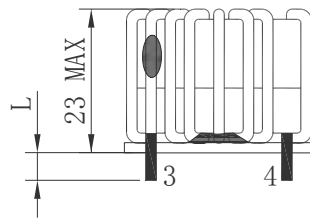
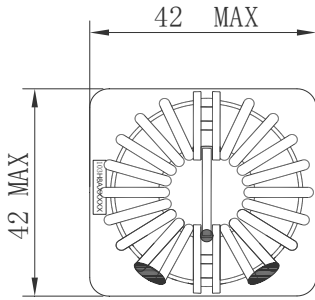
RoHS指令对应产品  
无铅焊锡对应

## 产品特点

- ◎大电流、高感量。
- ◎磁芯为闭合磁芯，漏磁小。
- ◎磁芯受外壳保护，性能稳定。
- ◎产品满足安规要求。



## Shape and dimensions (Unit:mm)



PCB1 BOTTOM VIEW

卧式(H)

## 标准系列特性表

| PART NO.           | Rated current | Inductance | DC Resistance |
|--------------------|---------------|------------|---------------|
| 11-TC3110H5020-XXX | 10.0A         | 5.0mH MIN  | 15mΩ (MAX)    |
| 11-TC3110H1030-XXX | 8.0A          | 10.0mH MIN | 30mΩ (MAX)    |
| 11-TC3110H1330-XXX | 7.0A          | 13.0mH MIN | 40mΩ (MAX)    |
| 11-TC3110H1730-XXX | 6.0A          | 17.0mH MIN | 55mΩ (MAX)    |
| 11-TC3110H1030-XXX | 5.0A          | 21.0mH MIN | 70mΩ (MAX)    |

## Impedance Curve

